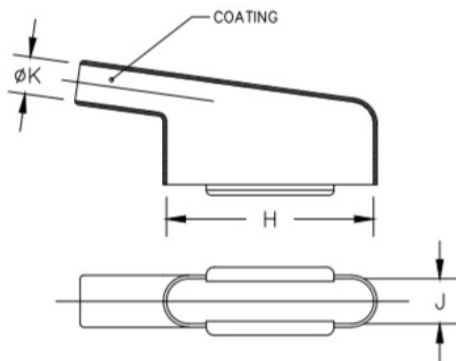


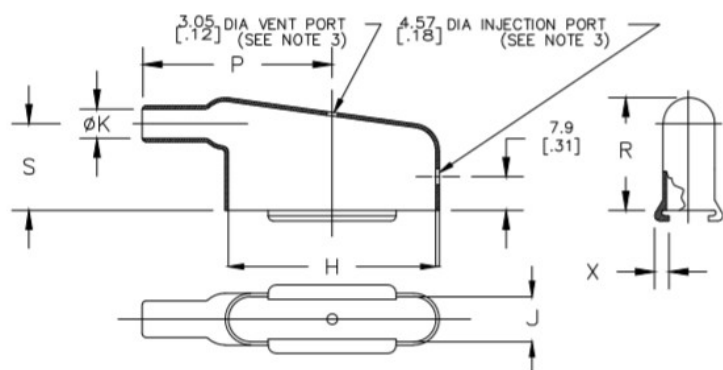
Moulded Parts 234A611 to 234A671 (rectangular, 90° end entry, over expanded)

These moulded parts or heat shrink boots are used for mechanical protection and cable strain relief. This version is ideal for cable harness applications where cable branches and breakouts are required. Our moulded parts combine an easy and quick installation with high electric strength, mechanical toughness and chemical and environmental resistance. These moulded parts are with or without coating available.

As supplied



After heating



Dimensions in mm

Injection and vent port available only on request

Part number	Inside diameter (coating reduces Ø max. 1.5mm)						P	R	S	W	X	Fits to
	As supplied +/- 5%		After heating +/- 5%									
	H	J	K	H	J	K						
234A611	16.0	16.0	16.0	20.3	10.7	4.1	25.9	21.6	15.2	1.02	3.05	DE-9
234A621	19.1	19.1	19.1	28.2	10.7	5.3	30.7	24.6	18.5	1.02	3.05	DA-15
234A632	29.2	29.2	29.2	42.2	10.7	7.4	42.9	27.9	22.1	1.02	3.05	DB-25
234A642	34.3	34.3	34.3	58.7	10.7	8.6	53.3	30.5	25.4	1.02	3.05	DC-37
234A652	37.6	37.6	37.6	57.9	13.7	10.7	55.9	32.3	25.4	1.02	3.05	DD-50
234A661	16.0	16.0	16.0	20.3	10.7	3.8	25.9	18.5	12.2	1.02	3.05	DE-9
234A671	19.1	19.1	19.1	28.2	10.7	5.1	30.7	19.8	13.5	1.02	3.05	DA-15

Material (not all combinations available)

Ordering Code	Material	Operating temperature range
-3	Polyolefin, semi-rigid	-55°C to +135°C
-4	Polyolefin, flexible	-55°C to +135°C
-12	Fluoroelastomer, flexible	-55°C to +200°C
-25	Elastomer, fluid resistant	-75°C to +150°C
-100	Polyolefin, halogen free	-30°C to +105°C

Coating, Adhesive

Ordering code	Material	Operating temperature range
/42	Polyamide, hot-melt	-20°C to +60°C
/86	High performance, hot-melt	-55°C to +120°C
/225	Epoxy/Polyamide	-75°C to +150°C

Colour

Ordering Code	Colour
-0	Black